

9354 ÷ 9359



UVOZNIK :  
 ALATISTHERM d.o.o  
 Koče Kapetana 25  
 35230 Čuprija - Srbija  
 tel/fax : +381 (35) 8471-196  
 mob1 : +381 (65) 8410651  
 mob2 : +381 (65) 2771802  
 e-mail : office@alatistherm.in.rs  
 web : www.alatistherm.co.rs

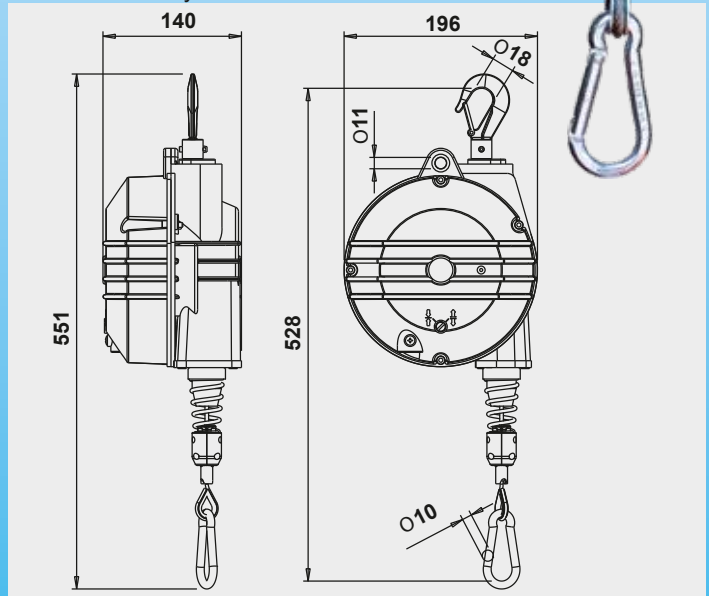
OPTION F

11  
 2000 mm  
 4÷25 kg



**Option F Brake device**

The balancer is equipped with a friction/brake which controls the rotation speed of the drum. This option is feasible when placing a new order while it is not possible to assemble this device on balancers already installed.



Item	9354	9355	9356	9357	9358	9359
Capacit	4÷7	7÷10	10÷14	14÷18	18÷22	22÷25
Weight	4,94	5,30	5,67	6,26	5,89	6,53
Stroke	2000 mm					
Cable	Inox					
Body	Aluminium					

BALANSERI NOSIVOSTI 4 do 25 Kg : SAJLA INOX

9354G ÷ 9359G

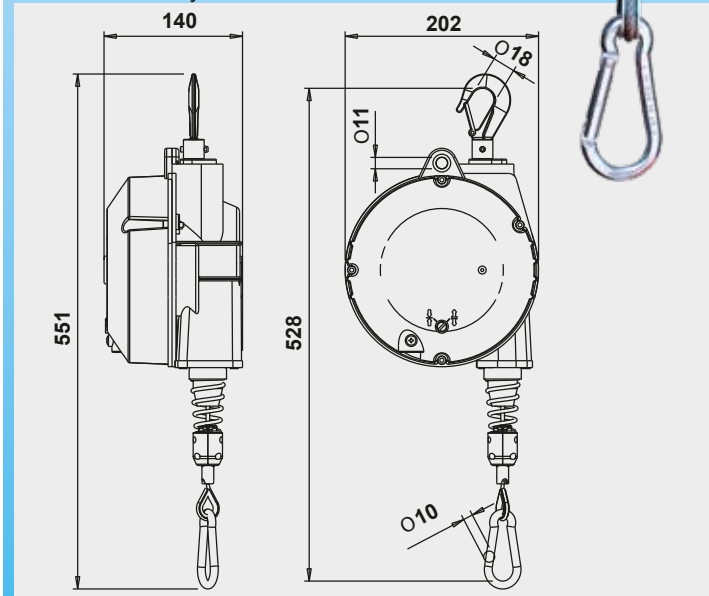
OPTION F

12  
 2000 mm  
 4÷25 kg



**Option F Brake device**

The balancer is equipped with a friction/brake which controls the rotation speed of the drum. This option is feasible when placing a new order while it is not possible to assemble this device on balancers already installed.



Item	9354G	9355G	9356G	9357G	9358G	9359G
Capacit	4÷7	7÷10	10÷14	14÷18	18÷22	22÷25
Weight	5,58	5,93	6,31	6,90	6,53	7,17
Stroke	2000 mm					
Cable	Inox					
Body	Aluminium+Rubber					