

9200 ÷ 9203

BALANSERI ZA PNEUMATSKE ALATE BALANCERS FOR PNEUMATICS

Used for arranging ergonomic work stations.
Applications: Screw drivers - Drills - Shearing machines - Tools for electronics - Air guns.

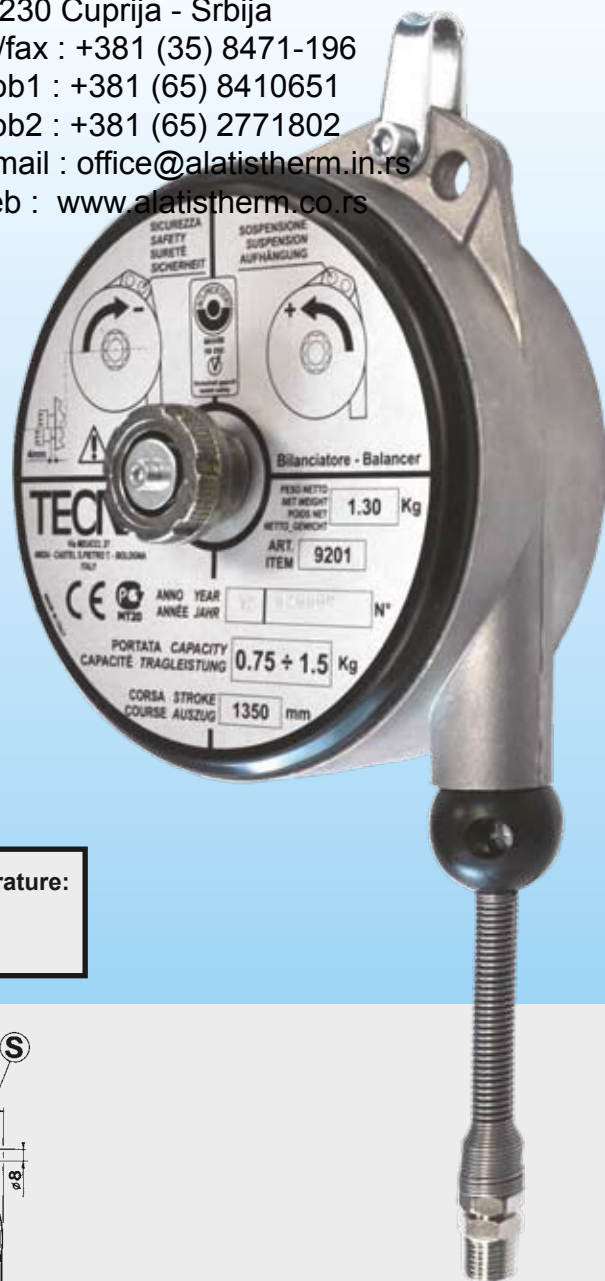
ADVANTAGES

- Maximum ease of use.
- Minimum overall dimensions as the tool is supported by the hose.
- Polyurethane hose.
- Rugged construction, cast aluminium body.
- Adjustable capacity.
- Springs properly sized to ensure long life and smooth running.
- Adjustable stroke limiting device.
- Auxiliary safety suspension.

Poliuretansko crevo
Aluminijumsko telo balansera

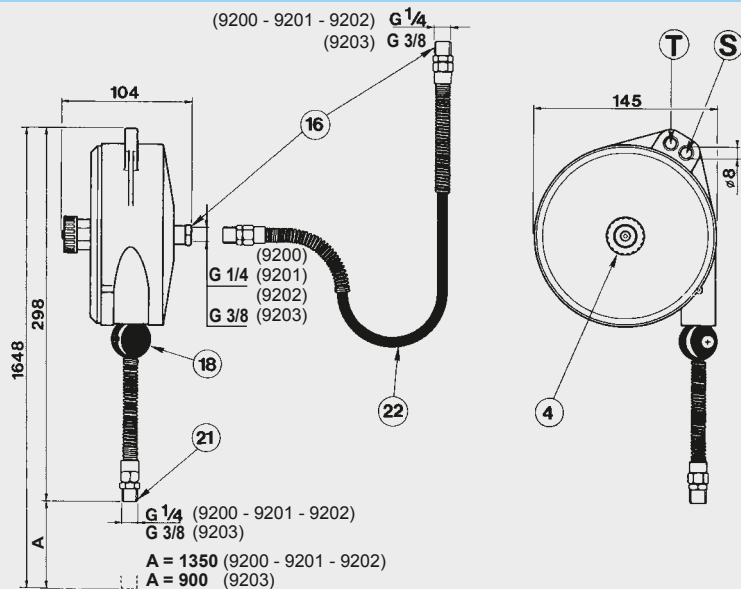


UVOZNIK :
ALATISTHERM d.o.o
Koče Kapetana 25
35230 Čuprija - Srbija
tel/fax : +381 (35) 8471-196
mob1 : +381 (65) 8410651
mob2 : +381 (65) 2771802
e-mail : office@alatistherm.in.rs
web : www.alatistherm.co.rs



Max operating pressure:
8 bar

Max operating temperature:
50°



- T - Suspension.
- S - Safety.
- 4 - Capacity adjustment.
- 16- Air input 1/4 gas.
- 18- Stroke limiting clamp.
- 21- Air output 1/4 gas.
- 22- Flexible supply hose.

Item	9200	9201	9202	9203
Capacity	0,4÷0,8	0,75÷1,5	1,2÷2,5	3÷5
Weight	1,35	1,35	1,35	1,35
Stroke	1350 mm			900 mm
Hose	Polyurethane			
Body	Aluminium			